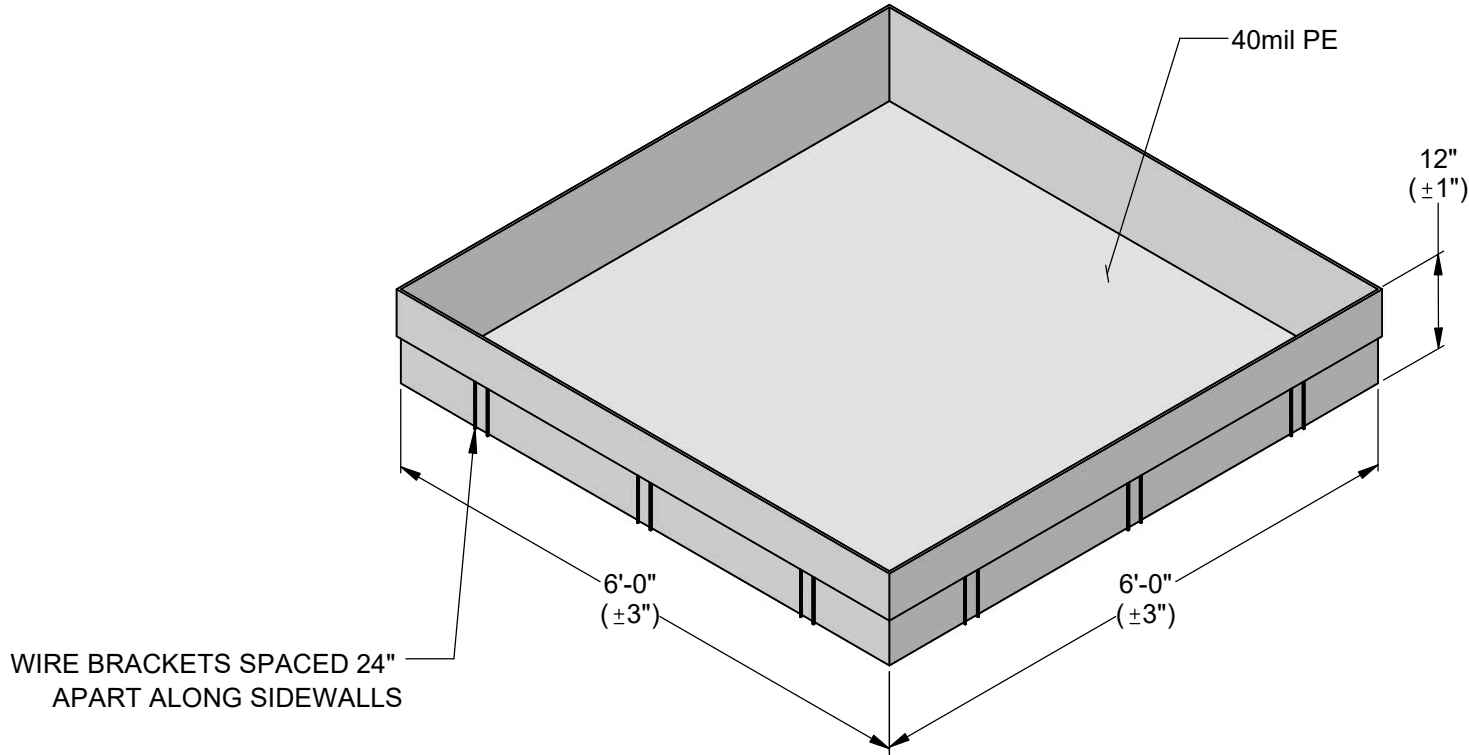


# PT6612

THIS DOCUMENT CONTAINS PROPRIETARY DATA OF PACTEC, INC. NO DISCLOSURE, REPRODUCTION, OR USE OF ANY PART THEREOF MAY BE MADE WITHOUT WRITTEN PERMISSION

## MTL'S:

- 40mil PE
- WIRE BRACKET - 12ea
- BRACKET SPACING: 24"



BERM CAPACITY: 269 U.S. GALLONS

**FINISHED**



1(800)-272-2832

**Customer Approval**  
 Signature \_\_\_\_\_ Date \_\_\_\_\_

**Contact Information**  
 Name \_\_\_\_\_ Phone # \_\_\_\_\_

**Proprietary And Confidential**

Customer Name:		
PacTec Item Code:		PT6612
Estimated Tare Weight:	20 lbs	Drawn By: ALR
Date Drawn:	May 9, 2022	
Revision #: 0.0	Internal Design Approval:	N/A
Scale: NONE	Sheet Size: A4	Sheet: 1 OF 1